

॥ ओऽम ॥
- दयानन्द वैदिक कॉलेज
प्रबन्धकर्तृ समिति, नई दिल्ली द्वारा
संचालित शिक्षा संस्था



{ 9431136772

B.P. DAV PUBLIC SCHOOL
Pharathia-822114
Dist.: Garhwa (Jharkhand)

Co-educational, English Medium, Public school, Affiliated to CBSE, New Delhi.
DELHI: DAV College Managing Committee, Chitragupta Road, New Delhi. Tel.:011-23557384, Fax-011-23632520
Asstt. Regional Officer, Jharkhand Zone-I, MK DAV Public School, Palamau

Ref. No.: DAVGarhwa/2024-25/.7.9.1.

Date: 13/01/2025

TENDER NOTICE

Invitation for Quotations for Construction of Boundary Wall

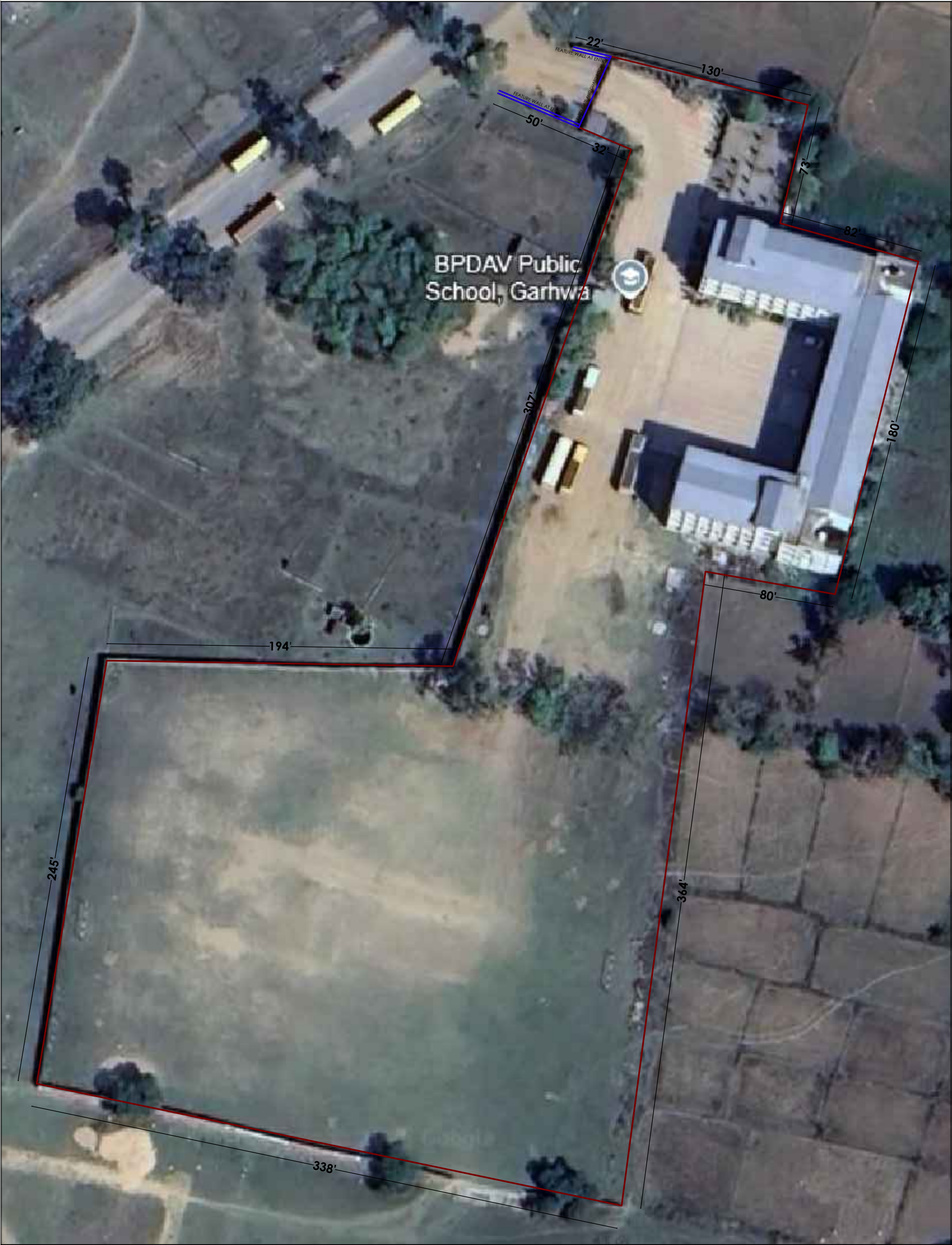
Quotations are invited from competent contractors for the construction of a 2640 sq. ft. boundary wall of the school. This tender is open for all, anyone can bid in it. The tender will be opened on 27.01.2025.

For detailed specifications, please visit our school before 25.01.2025.

Thank you.

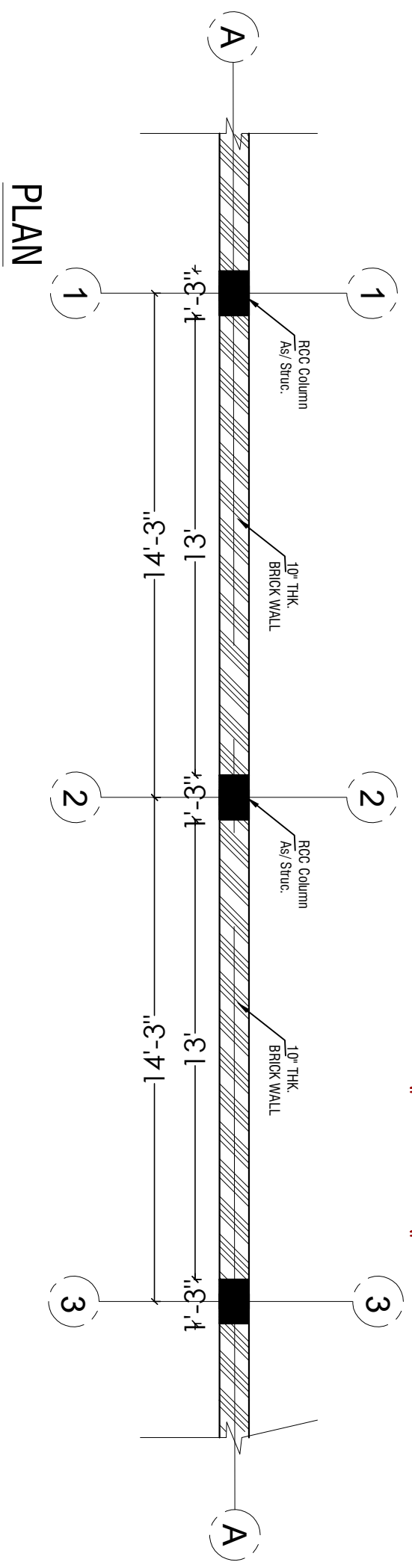
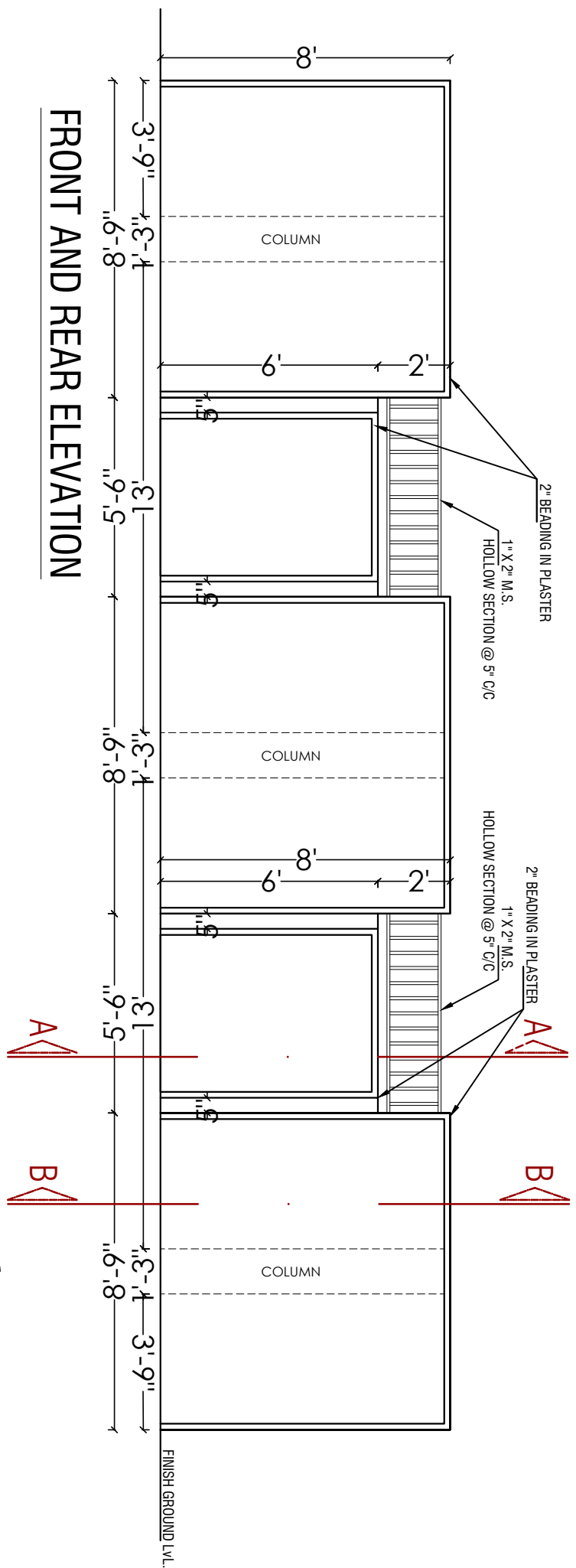
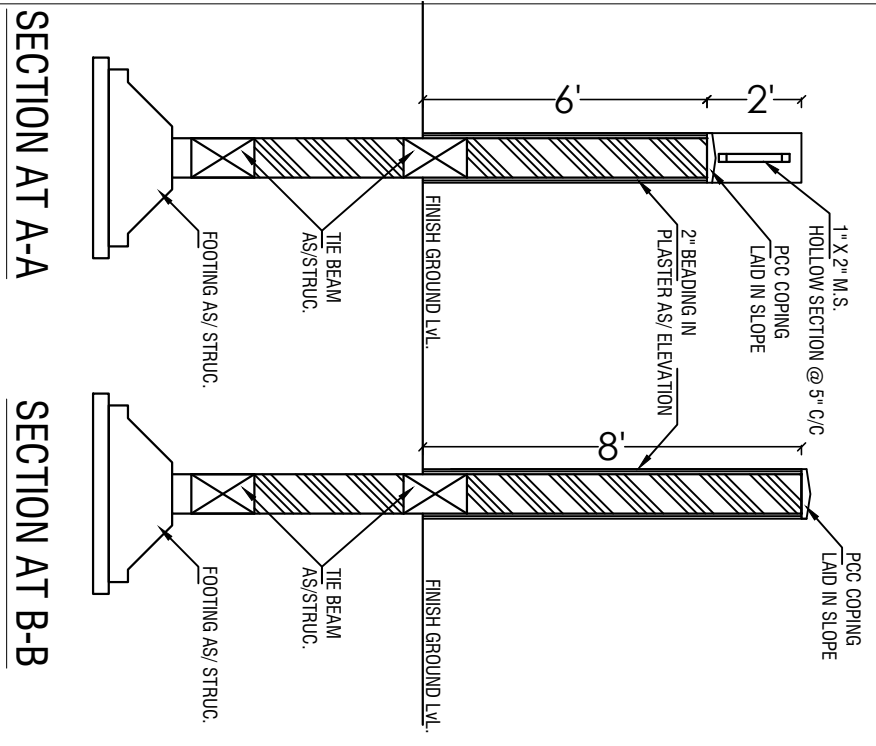
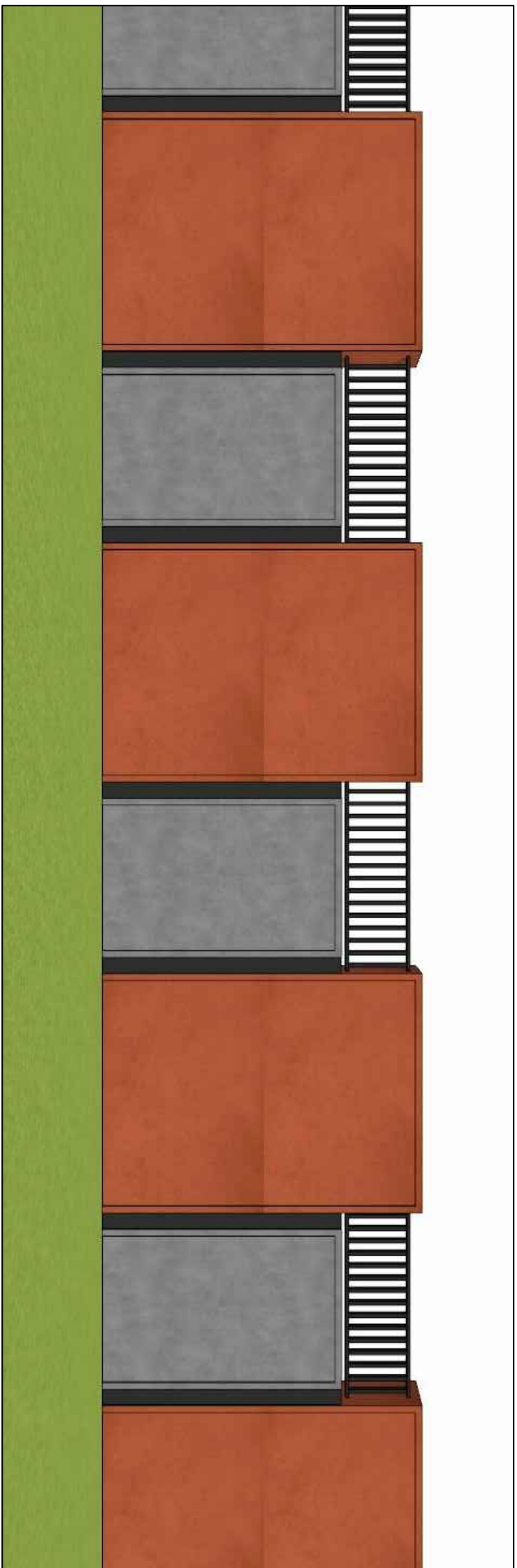
Principal
Principal

B. P. DAV Public School
Pharathia, Garhwa
Jharkhand-822114



BPDVA Public School, Garhwa

<p>Project - School Design Address - Garhwa, Jharkhand.</p>	<p>Sheet Title</p>	<p>Scale: NTS</p>	<p>Drawn By : Ar. Sneh Prakash</p>	<p>Architectural consultant : NIRMAAN Architects & Designers +91 8882708036, +91 6202651172</p>	
<p>Client - Principal, D.A.V. Garhwa</p>	<p>SITE PLAN</p>	<p>Date: 18. 01 .2025</p>	<p>Checked By : Ar. Sundram</p>		



Project - School Design
Address - Garhwa, Jharkhand.

Client - Principal, D.A.V. Garhwa

Sheet Title

BOUNDARY WALL

Scale: NTS

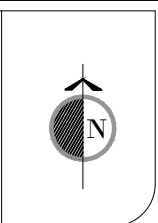
Date 18. 01 .2025

Drawn By : Ar. Sneh Prakash

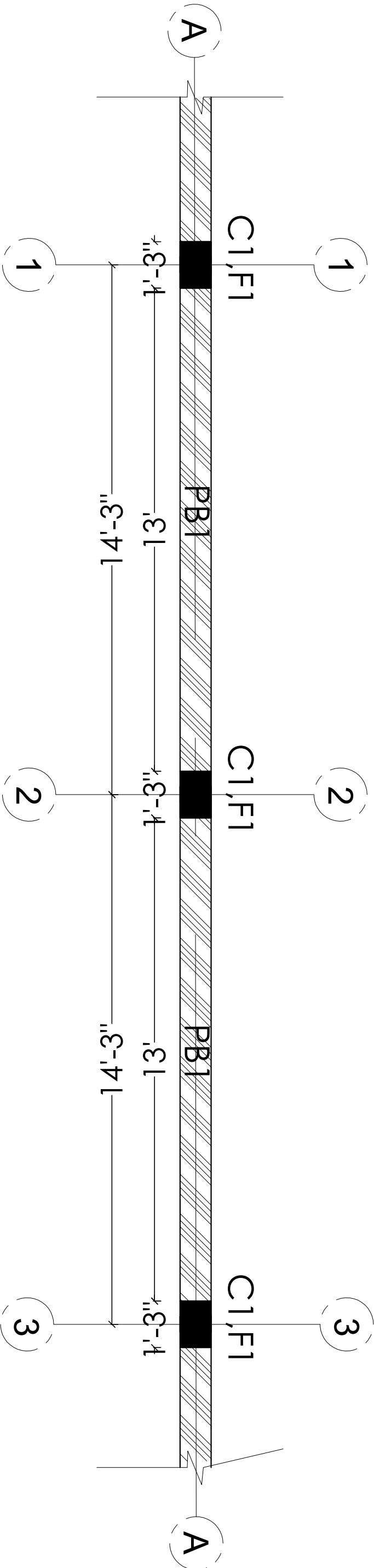
Checked By : Ar. Sundram

Architectural consultant :

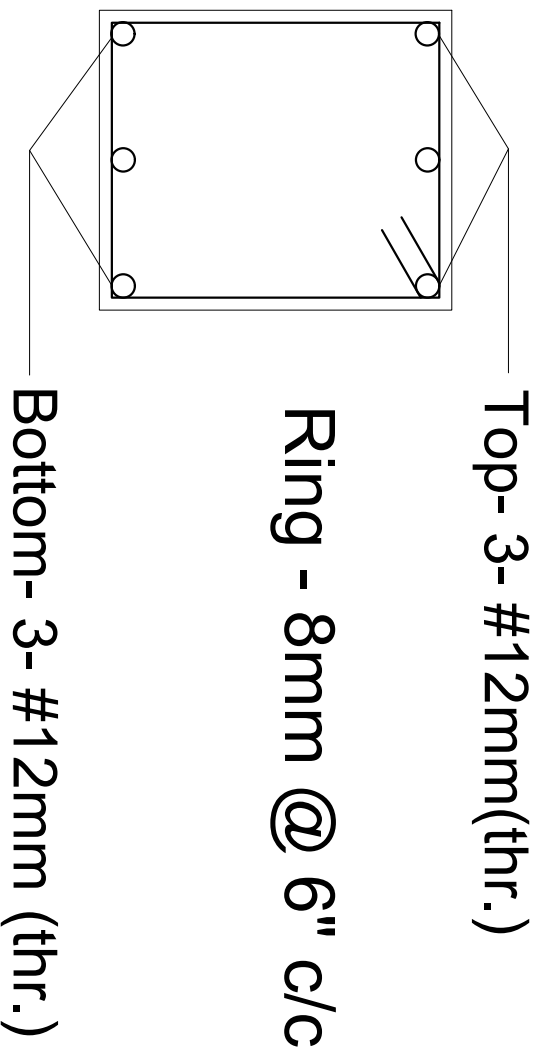
NIRMAAN
Architects & Designers
+91 8882708036, +91 6202651172



NOTE: THE BEAM IS TO BE GIVEN AT TWO LEVELS, ONE AT THE FOUNDATION LEVEL AND SECOND AT THE FINISHED GROUND LEVEL



LAYOUT PLAN FOR THE BEAM AT BOTH LEVELS



TIE BEAM, PB-1 (10" X 12")



Architectural consultant :
NIRMAAN
 Architects & Designers
 +91 8882708036, +91 6202651172

Drawn By :
 Ar. Sneh Prakash
 Checked By :
 Ar. Sundram

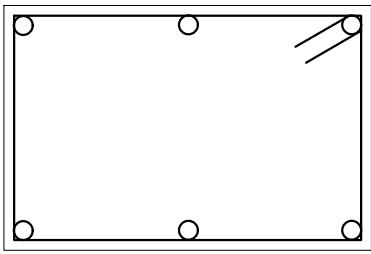
Scale:
 NTS
 Date:
 18. 01 .2025

BOUNDARY WALL
 (TIE BEAM DETAIL)

Sheet Title

Project - School Design
 Address - Garhwa, Jharkhand.

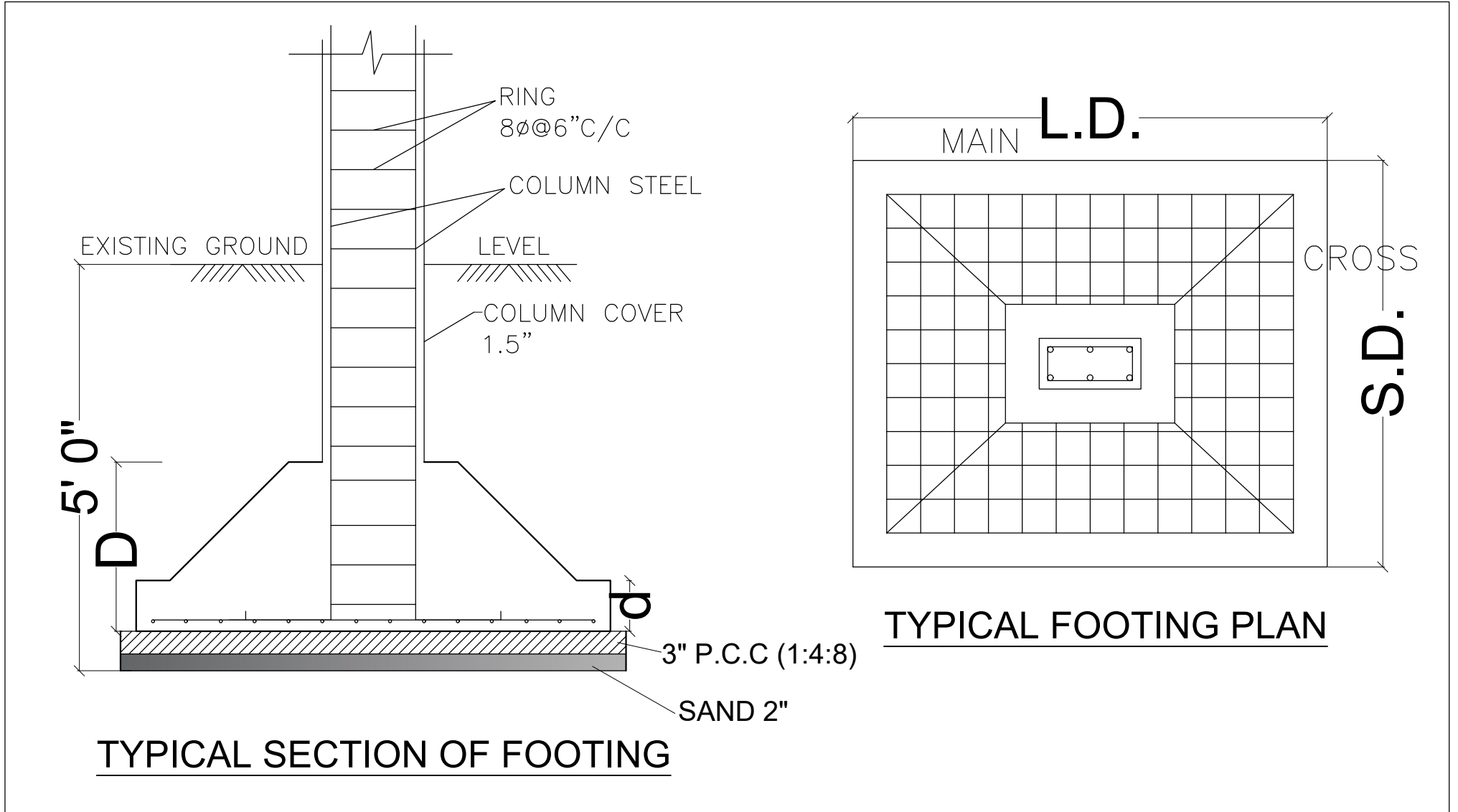
Client - Principal, D.A.V. Garhwa



Ver. Rods- 6 - #12mm

Ring - 8mm @ 6" c/c

Column C-1
(10" x 15")



DESIGN OF FOOTING

NAME	SIZE OF EXCAVATION	SIZE OF FOOTING	DEPTH		STEEL	
			D	d	L.D.	S.D.
F1	5'-6" X 5'-6"	5'-0" X 5'-0"	24"	6"	10Ø @ 6"C/C	10Ø @ 6"C/C

NOTES:-

1. All dimensions are in feet & inches. unless other wise specified.
2. Only written dimensions are to be followed.
3. Use concrete mix M-20(1:1.5:3) for all R.C.C. work conforming to IS:-456-2000.
4. All concrete shall be machine mixed and machine vibrated.
5. Reinforcement bars shall be of grade Fe-500 conforming to IS 1786-2008.
6. Clear cover to all reinforcement shall be 40 mm for column & 50 mm for foundation.
7. Expansion joints in boundary wall shall be at every 15 metres intervals.

Project - School Design
Address - Garhwa, Jharkhand.

Sheet Title

BOUNDARY WALL
(COLUMN AND FOOTING DETAILS)

Scale:
NTS

Drawn By :
Ar. Sneh Prakash

Architectural consultant :

NIRMAAN
Architects & Designers
+91 8882708036, +91 6202651172



Client - Principal, D.A.V. Garhwa

Date:
18. 01 .2025

Checked By :
Ar. Sundram

CIVIL ESTIMATE FOR BOUNDARY WALL FOR B.P.D.A.V. PUBLIC SCHOOL, GARHWA, JHARKHAND

CIVIL ESTIMATE FOR BOUNDARY WALL OF LENGTH 30 METRE

SI No	1.1 IT.NO.	CIVIL WORK ITEM OF WORK	UNIT	NOS	LENGTH(M)	WIDTH(M)	HT/DEPTH(M)	QUANTITY.	RATE	AMOUNT
	JSR/DSR									JSR-2022
SUB-HEAD-1 EARTHWORKS										
1	5.1.1	Earthwork in excavation in foundation trenches in ordinary soil (vide classification of soil item-A) and disposal of excavated earth as obtained to a distance upto 50 M. including all lifts, levelling, ramming the foudation trenches, removing roots of trees, shrubs all complete as per approved design, building specification and direction of E/I.	CUM							
		Col Footing		8	1.65	1.65	1.50	32.74		
		Expansion col foundn		2	1.93	1.65	1.50	9.53		
		Panel		7	3.90	0.30	0.30	2.46		
								SUB-TOTAL	44.73	151.82
2	5.1.2	Extra for earth work in hard soil as per specification and direction of E/I. (vide classification of soil item - B). (same quantity as of excavation)	CUM							
								SUB-TOTAL	44.73	15.51
3	5.1.7	Filling in foundation trenches and plinth in layers not exceeding 150mm thick well watered, rammed, fully compacted and fine dressed with earth obtained from excavation of foundation trenches within a lead of 50M and lift of 1.5M all complete as per building specification and direction of E/I. (mode of measurement compacted volume)	CUM							
		Total earth Excavated For Fdn.						44.73		
		Less Sand filling						-2.73		
		PCC						-2.11		
		Less RCC						-12.65		
								27.24	55.28	1505.71
4	5.1.10	Providing coarse clean sand in filling in foundation trenches or in plinth including ramming and watering in layers not exceeding 150mm thick with all leads and lifts including' cost of all materials, labour, royalty and taxes all complete as per building specification and direction of E/I (Mode of measurement compacted volume).	CUM							
		Col Footing		8	1.65	1.65	0.08	1.64		
		Expansion col foundn		2	1.93	1.65	0.08	0.48		
		Panel		7	3.90	0.30	0.08	0.62		
								SUB-TOTAL	2.73	589.51
SUB-HEAD-2 MASONRY WORKS										
5	5.2.3	Providing designation 75 A brick work in C.M.(1 :6) in foundation & Plinth with approved quality of clean coarse sand of F.M. 2 to 2.5 including providing 10 mm thick mortar joints cost of screening materials, scaffolding , raking out joints to 15mm depth curing, taxes and royalty all complete as per building specification and direction of E/I.	CUM							
		Brick Wall		7	3.90	0.25	0.33	2.22		
								SUB-TOTAL	2.22	5439.85
6	5.2.11	Providing designation 75 A brick work in C.M.(1 :6) in superstructure with approved quality of clean coarse sand of F.M. 2 to2.5 including providing 10 mm thick mortar joints cost of screening materials , scaffolding , raking out joints to 15mm depth curing, taxes and royalty all complete as per building specification and direction of E/I.	CUM							
		Brick Panel		7	2.25	0.250	2.25	8.88		
		Grill Panel		7	1.65	0.250	1.65	4.78		
								SUB-TOTAL	13.66	5573.67
SUB-HEAD-3 CONCRETE WORKS										
7	5.3.1	Providing and laying in position cement concrete of specified grade excluding the cost of centring and shuttering - All work upto plinth level								
	5.3.1.4	1:3:6 (1 Cement : 3 coarse sand (zone-III) : 6 graded stone aggregate 20 mm nominal size)	CUM							
		Foundation								
		Col Footing		8	1.65	1.65	0.08	1.64		

		Expansion col foundn		2	1.93	1.65	0.08	0.48		
							SUB-TOTAL	2.11	4125.41	8719.14
8	5.3.9	Providing and laying in position specified grade of reinforced cement concrete, excluding the cost of centering, shuttering, finishing and reinforcement- All work up to plinth level.								
	5.3.9.1	1:1.5:3 (1 cement: 1.5 coarse sand(zone-III): 3 graded stone aggregate 20 mm nominal size)	CUM							
		Col Footing		8	1.50	1.50	0.50	9.02		
		Expansion col foundn		2	1.78	1.50	0.55	2.93		
		Column		10	0.25	0.38	0.75	0.70		
							SUB-TOTAL	12.65	5218.00	66022.55
9	5.3.10	Reinforced cement concrete work in wall (any thickness), including attached pilasters, butterses, plinth and string courses, fillets, column, pillars, piers, abutments, posts and struts ets. above plinth level up to floor five level, excluding cost of centering, shuttering, finishing and reinforcement : 1:1.5:3 (1 cement: 1.5 coarse sand(zone-III): 3 graded stone aggregate 20 mm nominal size)	CUM							
		Col Footing		8	0.25	0.38	2.40	1.80		
		Expansion col foundn		2	0.25	0.00	2.40	0.00		
							SUB-TOTAL	1.80	6082.45	10972.42
10	5.3.11	Reinforced cement concrete work in beams, suspended floor, roofs having slope up to 15" landing, balconies, shelver, chajjas , lintels, bands, plan window sills, staircases and spiral stair case above plinth level up to floor five level, excluding cost of centering, shuttering, finishing and reinforcement : 1:1.5:3 (1 cement: 1.5 coarse sand(zone-III): 3 graded stone aggregate 20 mm nominal size)	CUM							
		Band 100 mm								
		Panel		7	3.90	0.30	0.10	0.82		
								0.82		
		Tie Beam Foundation Level		7	3.90	0.25	0.30	2.05		
		Tie Beam FGL		7	3.90	0.25	0.30	2.05		
								4.11		
							SUB-TOTAL	4.93	6308.87	31079.49
11	5.3.17	Centering and shuttering including strutting, propping etc. and removal of form for :								
11.1	5.3.17.1	Foundations, footings, bases of columns etc. for mass concrete.								
		Col Footing		8	1.50	1.50	0.50	24.05		
		Expansion col foundn		2	1.78	1.50	0.55	7.21		
		Column		10	0.25	0.38	0.75	9.39		
								40.65	194.50	7906.25
11.2	5.3.17.5	Lintels, beams, plinth bams, griders, bressumers and cantilevers. Lintel Band 250 mm Wall								
		Panel		7	3.90	0.30	0.10	5.47		
		Tie Beam Foundation Level		7	3.90	0.25	0.30	16.42		
		Tie Beam FGL		7	3.90	0.25	0.30	16.42		
								38.32	363.97	13945.80
11.3	5.3.17.6	Columns, Pillars, Piers, Abutments, Posts and Struts								
		Col Footing		8	0.25	0.38	2.40	24.05		
		Expansion col foundn		2	0.25	0.38	2.40	6.00		
								30.05	465.38	13985.89
SUB-HEAD-5 STEEL WORKS										
12	5.5.4, 5.5.5,	Providing TOR steel reinforcement of 8mm (TMT Fe 500) , 10mm (TMT coil Fe 500), 12mm (TMT coil Fe 500), 16mm (TMT coil Fe 500), 20mm (TMT bar Fe 500), 25mm (TMT bar Fe 500) dia rods or bars as per approved design and drawing excluding carriage of bars to work site, cutting, bending, and binding with annealed wire with cost of wire, removal of rust, placing th rods in position all complete as per building specification and direction of E/I. (Only valid for SAIL, TATA Steel, JSPL, Electro Steel Ltd, and Vizal Steel)	MT							
					Density @ Kg/CUM			M.T.		
		Foundation		12.65	70.00			0.89		
		Band		0.82	0.00			0.00		
		Beam		4.11	170.00			0.70		

MATERIALS STATEMENT OF B. W										
	ITEM OF WORK	QUANTITY in M3/M2	CEMENT		SAND		CHIPS		BRICKS	
			RATE	QTY.	RATE	QTY	RATE	QTY	RATE	QTY
1	SAND FILLING	2.73			1.00	2.73			0.00	0
2	PCC 1:3:6	2.11	0.157	0.33	0.471	1.00	0.94	1.99		0
3	250MM BRICK	13.66	0.036	0.49	0.219	2.99		0.00	406	5545
4	112MM BRICK	0.00	0.01	0.00	0.04	0.00		0.00	52	0
5	RCC (1:1.5:3)	19.38	0.29	5.62	0.435	8.43	0.87	16.86		
6	D.P.C.	0.00	0.225	0.00	0.45	0.00	0.90	0.00		
8	GLAZED TILES	0.00	0.0039	0.00	0.0092	0.00		0.00		
9	VITRIFIED TILE	0.00	0.035	0.00	0.0085	0.00		0.00		
10	GRANITE/MAR	0.00	0.0041	0.00	0.014	0.00		0.00		
11	W.P. OVER TE	0.00	0.0039	0.00	0.0092	0.00		0.00		
12	12MM CEMENT	0.00	0.0026	0.00	0.016	0.00		0.00		
13	6MM CEMENT	0.00	0.0019	0.00	0.0073	0.00		0.00		
14	WATER PROO	129.49	0.0074	0.96	0.0291	3.77		0.00		
16	PLINTH PROTE	0.00	0.0161	0.00	0.064	0.00	0.04	0.00	54	0
				7.40		18.92		18.85		5545
			209 BAGS				Metal	1.99		
			10.45 MT.		18.92 M3		Chips	16.86	5545.11 Nos.	